

<b>Model</b>		ARDF for F90/F30/F31/F33/F34					<b>Volt/Hz</b>	<b>Date of Modification</b>	<b>Serial Number</b>	
<b>Modified Article</b>		Right Hinge								
<b>Reason for Modification</b>		To correct original skew								
Draw No.	Old Parts No.	New Parts No.	Description	A.B.C.	Q'ty Used Old → New	Inter-changeability	Part needed for replacement by new part		Parts Catalog	
				Rank			Part No.	Description	Index No.	Page
	A4181270	A4181275	Right Hinge		1 - 1	O/O			21	3

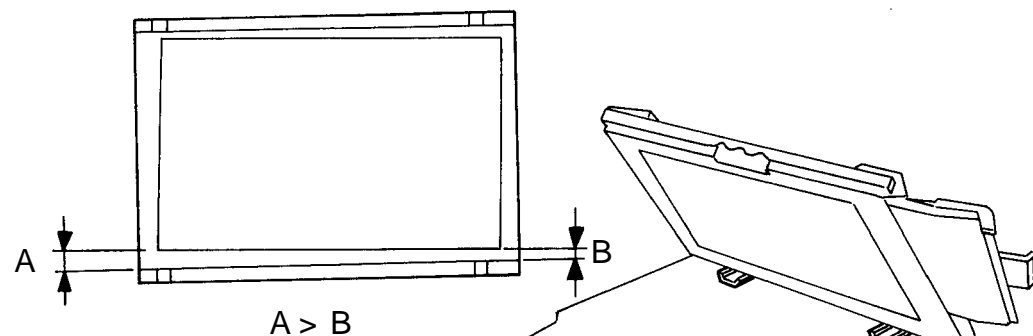
Rank: A : Replace with new parts immediately. B : Replace with new parts at time of repair. C : Replace with new parts at time of overhaul.

Interchangeability:

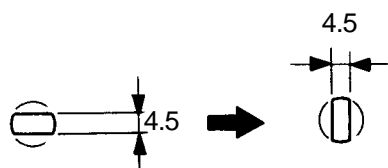
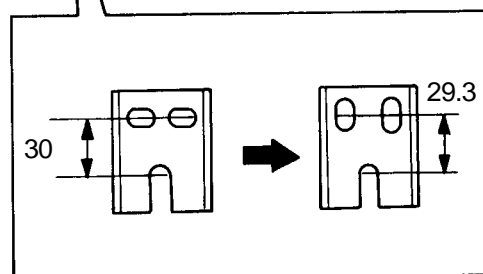
(1) When old and new parts are not mutually interchangeable, use additional parts or an assembly part as indicated in "Parts needed for replacement by new part" to install the new part.

(2) The mark to the left of the slash indicates whether the old part can be used in the new machine, and the mark to the right indicates whether the new part can be used in the old machine. x = Not interchangeable o = Interchangeable

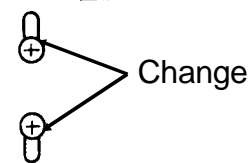
DETAILS OF MODIFICATION



It was reported by the Japanese field that originals were sometimes skewed when delivered to the exposure glass. This happened only when this ARDF unit was installed on the F30/31 and F33/34 unit. This is due to the torsion of the upper cover on which the hinges are installed. To correct this, position and direction of the long hole of the right hinge has been changed. The skewed original is adjustable by changing the position of the screws for the right hinge.



Long Holes



T. Ito, Manager  
Copier Technical Support

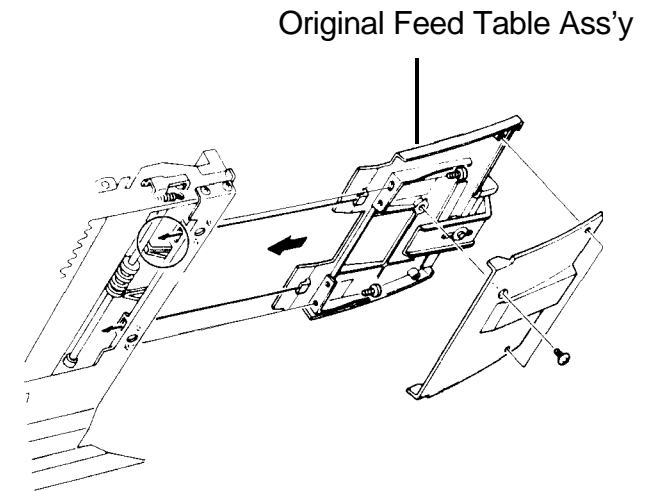
MODEL NAME	V/Hz	DESTINATION	CODE	SERIAL NUMBER
P.B. D605	115/60	USA, CANADA	A418-11	1050001
SAVIN 7400 ARDF	115/60	USA, CANADA	A418-15	3191043832
NASHUA RF-II	115/60	S. AMERICA etc.	A418-16	022106XXXX
RICOH DF51	115/60	USA, CANADA	A418-17	2910460157
NASHUA RF-II	220/50	EUROPE etc.	A418-25	0221050001
KALLE ARDF II 40/48	220/50	EUROPE	A418-26	3550510001
RICOH DF51	220/50	EUROPE	A418-27	2910460887
KALLE ARDF III 9143	220/50	EUROPE	A418-66	3900510001

<b>Model</b>	ARDF for F90/F30/F31/F33/F34	<b>Volt/Hz</b>	<b>Date of Modification</b>	<b>Serial Number</b>
<b>Modified Article</b>	Original Feed Table Ass'y			
<b>Reason for Modification</b>	As per field request			

As per field request, the original feed table ass'y has been registered as a spare part. Please add the following parts to your parts catalog.

Page	Index	P/N	Description
3	* 55	A4181616	Original Feed Table Ass'y - A4 (NSA)
3	* 55	A4181619	Original Feed Table Ass'y - LT (NSA)
3	* 55	A4181618	Original Feed Table Ass'y (SVN)
3	* 55	A4181617	Original Feed Table Ass'y (Infotec ARDF II)
3	* 55	A4181620	Original Feed Table Ass'y (Infotec ARDF III)
3	* 55	A4181612	Original Feed Table Ass'y - LT (Ricoh)
3	* 55	A4181613	Original Feed Table Ass'y - A4 (Ricoh)

\* New Index



T. Ito, Manager  
Copier Technical Support

MODEL NAME	V/Hz	DESTINATION	CODE	SERIAL NUMBER
P.B. D605	115/60	USA, CANADA	A418-11	
SAVIN 7400 ARDF	115/60	USA, CANADA	A418-15	
NASHUA RF-II	115/60	S. AMERICA etc.	A418-16	
RICOH DF51	115/60	USA, CANADA	A418-17	
NASHUA RF-II	220/50	EUROPE etc.	A418-25	
KALLE ARDF II 40/48	220/50	EUROPE	A418-26	
RICOH DF51	220/50	EUROPE	A418-27	
KALLE ARDF III 9143	220/50	EUROPE	A418-66	